

The Kent Range of Domestic Meters

V200 and V210 Volumetric cold water meters

The meters that give you more



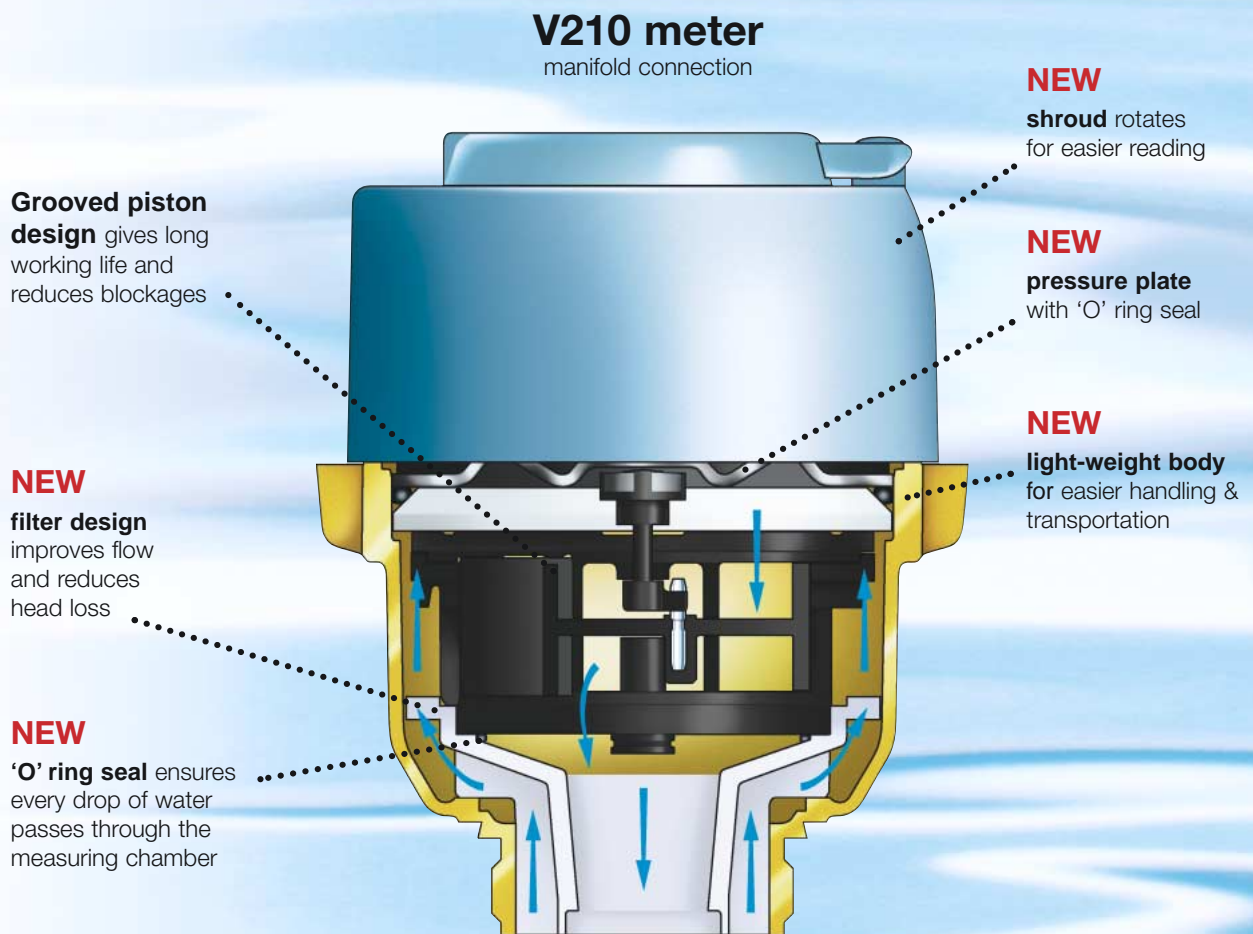
V200 and V210 Volumetric cold water meters

- Performance exceeds ISO4064 Class D standard
- Available in a dual range size covering minimum N1.0 to maximum N1.5 for Class D
- Many outstanding new design features for improved performance and functionality
- New lightweight design
- Choice of direct-read register or magnetic output register for factory or retrofitting volt free pulse unit
- Volumetric design permits optimum performance in horizontal, vertical or inclined pipelines
- Proven grooved piston for excellent durability and reduced blockages
- Working temperatures up to 50°C and working pressures up to 16 Bar

Available in a dual range size covering minimum N1.0 to maximum N1.5 for Class D and size N1.5 for Class C, V200 and V210 cold potable water meters combine the best features of the proven KVM & MSM meters, with a range of outstanding new design enhancements - to give you more of what you need from a meter...

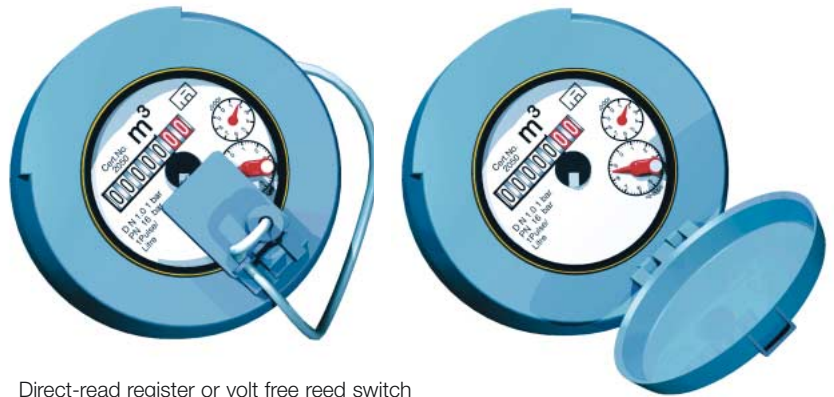
More accuracy - to maximise revenue collection

Designed to exceed ISO4064 Class D, the new V200 and V210 meters incorporate many advanced design features to improve metering accuracy across a wide range of flow rates. From dripping taps to water for showers, baths and washing machines, V200 and V210 meters make every drop count.



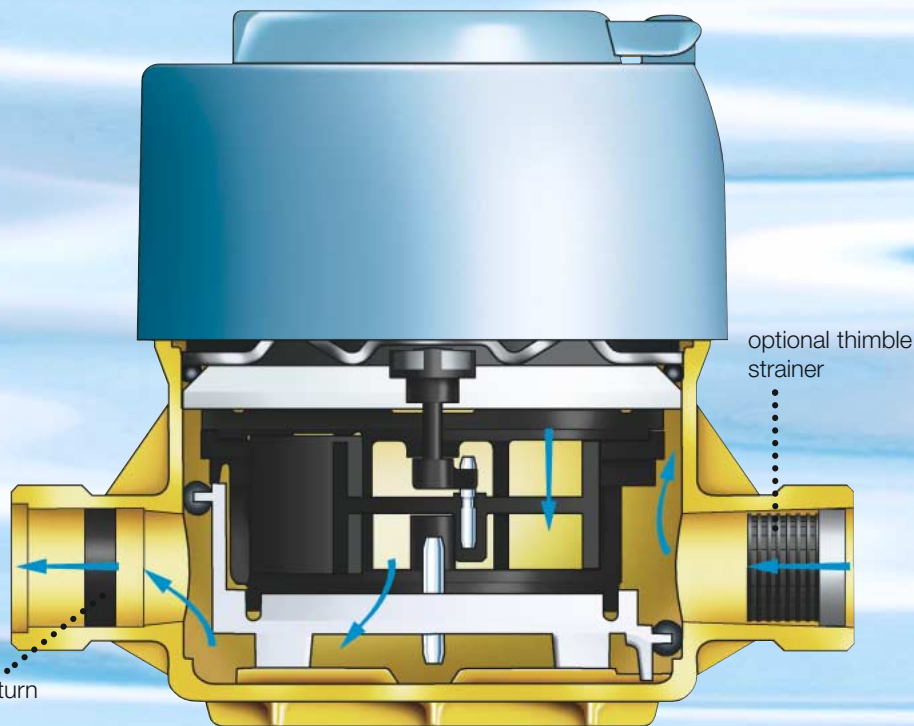
More reliability - to minimise costs and customer inconvenience

V200 and V210 meters are designed to give long, trouble-free working life, with excellent features such as the proven grooved piston design. The action of this piston creates flow eddies in the grooves which hold solids in suspension until flushed out, reducing the possibility of meter stoppages. The tamper-proof registers are sealed to eliminate condensation and - together with optional factory-potted volt free pulse units - provide conformity to IP68.



Direct-read register or volt free reed switch units are available. Direct read type is supplied with a hinged lid.

V200 meter
in-line connection



optional non-return flow valve

optional thimble strainer

V200 and V210

Specifications Class D to BS5728 and ISO4064 dual range

Specifications Class C to BS5728 and ISO4064

| Meter code | | | V200 | V210 | V200 | V210 |
|-----------------------|------|-----|----------------------------------|-----------------------------------|----------------------------------|-----------------------------------|
| Meter thread size | | in | G ³ / ₄ "A | G1 ¹ / ₂ "A | G ³ / ₄ "A | G1 ¹ / ₂ "A |
| Overload flowrate | qs | ±2% | m ³ /h | 3.0 | 3.0 | 3.0 |
| Permanent flowrate | qp | ±2% | m ³ /h | 1.5 | 1.5 | 1.5 |
| Transitional flowrate | qt | ±2% | l/h | 11.5 | 11.5 | 22.5 |
| Minimum flowrate | qmin | ±5% | l/h | 7.5 | 7.5 | 15.0 |

All models: Pulse output (volt free reed switch) 1 pulse per litre
 Headloss at qs less than 1 Bar. Headloss at qp less than 0.25 Bar.
 Maximum water temperature 50°C. Maximum working pressure 16 Bar.
 Maximum registration 99,999.99m³.

Dimensions dual range

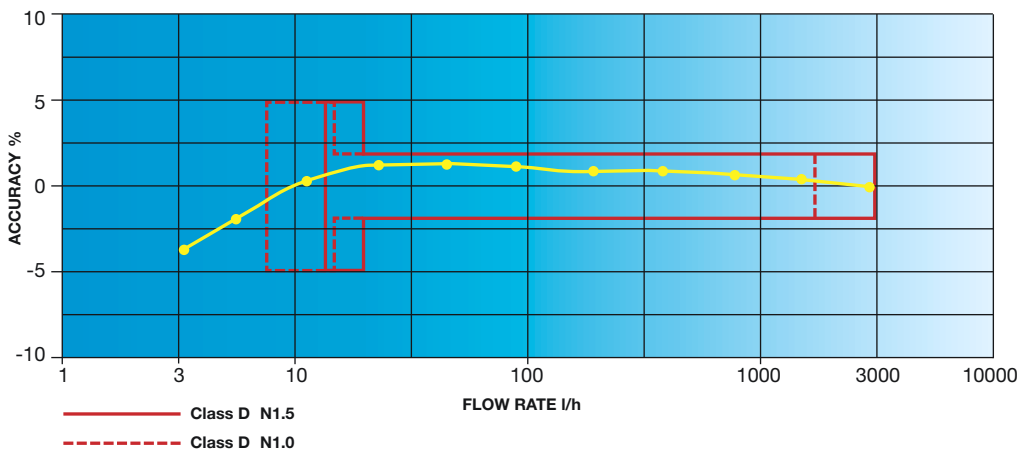
| Meter size | | V200 | | V210 | |
|--------------------------------|----|----------------------|----------|----------------------|------|
| | | N1.0/1.5 | N1.0/1.5 | N1.5 | N1.5 |
| Meter diameter (A) | mm | 94 | 94 | 94 | 94 |
| Height of meter (B) | mm | 113 | 126 | 113 | 126 |
| Height of meter – lid open (C) | mm | 180 | 193 | 180 | 193 |
| Meter lengths (D) | mm | 110,115,134,165,170* | N/A | 110,115,134,165,170* | N/A |
| Length over connections (E) | mm | 195,200,228,250,255 | N/A | 195,200,228,250,255 | N/A |
| Weight (approximate) | kg | 0.95 | 0.92 | 0.95 | 0.92 |

All models: Pulse output (volt free reed switch) 1 pulse per litre
 Headloss at qs less than 1 Bar. Headloss at qp less than 0.25 Bar.
 Maximum water temperature 50°C. Maximum working pressure 16 Bar.
 Maximum registration 99,999.99m³.

Dimensions Class C

Higher accuracy for improved revenue collection

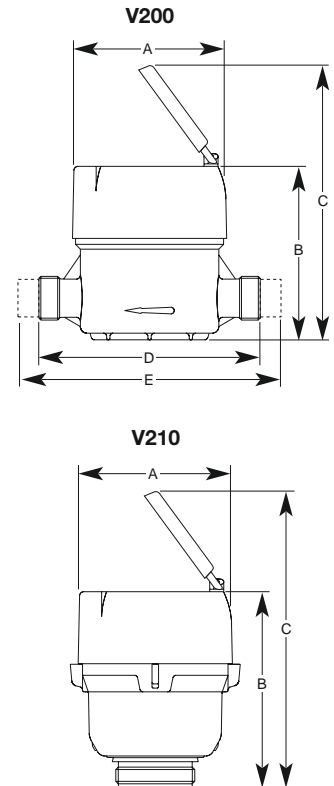
Typical accuracy/flow graph. N1.0/1.5



Pressure equipment directive 97/23/EC

This product is applicable in networks for the supply, distribution and discharge of water and associated equipment and is therefore exempt.

*MOQs may apply for certain meter lengths or meter options.



Elster Metering Limited
 Pondwicks Road
 Luton, Bedfordshire
 LU1 3LJ, United Kingdom
 Telephone +44 (0)1582 402020
 Facsimile +44 (0)1582 438051
 Website: www.elstermetering.com
 E-mail: water.metering@gb.elster.com

8503B2225

The Company's policy is one of continuous improvement and the right is reserved to modify the specifications without notice.