



Unimag Cyble™

MID
VERSION

Reliable metering for advanced AMR

Unimag Cyble is a versatile water meter for residential use which can be easily transformed anytime into an advanced communicating device thanks to the application of the whole range of Itron Cyble communicating modules.

FEATURES AND BENEFITS

- » World-Class Single-Jet Meter, Extra-Dry
 - Cold or Warm Water
 - Compact and Easy to Install
 - MID compliant
- » Pre-equipped for Communication

The Technology

The meter combines the turbine single-jet technology with the proven reliability of the extra-dry register. No parts of the register are in contact with the water flow thanks to the high performance magnetic transmission.

Communication

The Unimag Cyble is ready to be equipped with the proven Cyble technology, allowing to mount Cyble modules at any time in field, enabling instantaneously the remote communication function.

This opens the meters up to a large range of advanced and reliable AMR systems:

- » Radio walk-by systems
- » Radio fixed data collection systems
- » M-Bus wire systems (walk-by or fixed network)
- » or any other system based on universal pulse outputs

Metrological Performance

The meter is approved MID R80 when used in horizontal position, R40 in all other mounting positions.

Excellent accuracy also at low flow rate proven by a low starting flow value.

Reliability

Extensively proven Unimag Cyble hydraulics have already been used in more than 10 millions of meters installed in more than 25 countries.

Main features

- » Enhanced design and technologies to combine high performance with long-term reliability
- » Frictionless high-end technical materials for the hydraulics and register pivot
- » Robustly designed, pressurized parts able to pass the strongest resistance tests (PN 16) in both static and dynamic conditions
- » Shock-resistant material for register and meter closure. Patented fastenings protection to ensure easy interface with the Cyble modules in any conditions
- » Automated assembly and monitoring process to ensure constant high quality level over the whole production

- » 100% manufactured in the EEC in strict compliance with most severe quality and environmental standards

Easy reading

- » 360° possible rotation of the register for comfortable reading in any position
- » 8 numbered rollers with high contrast for easy and error-free reading up to 99999,999 m³
- » Register with hermetically sealed enclosure in order to keep all parts inside of it perfectly clean and protected throughout the entire lifetime of the product

Compliance with Standards

- » Metrology
Approved according to:
 - EN14154
 - ISO 4064
 - MID - 2004/22/EC
- » Materials
Highly engineered and certified (ACS, KTW,...) materials specific for contact with potable water
- » Manufacturing
ISO 9001:2000
ISO 14001: 2004

PRODUCT CHARACTERISTICS

Unimag Cyble is composed of two main sections: the hydraulic part that allows the measurement of the water flow and the register that totalizes and displays the measured water volume.

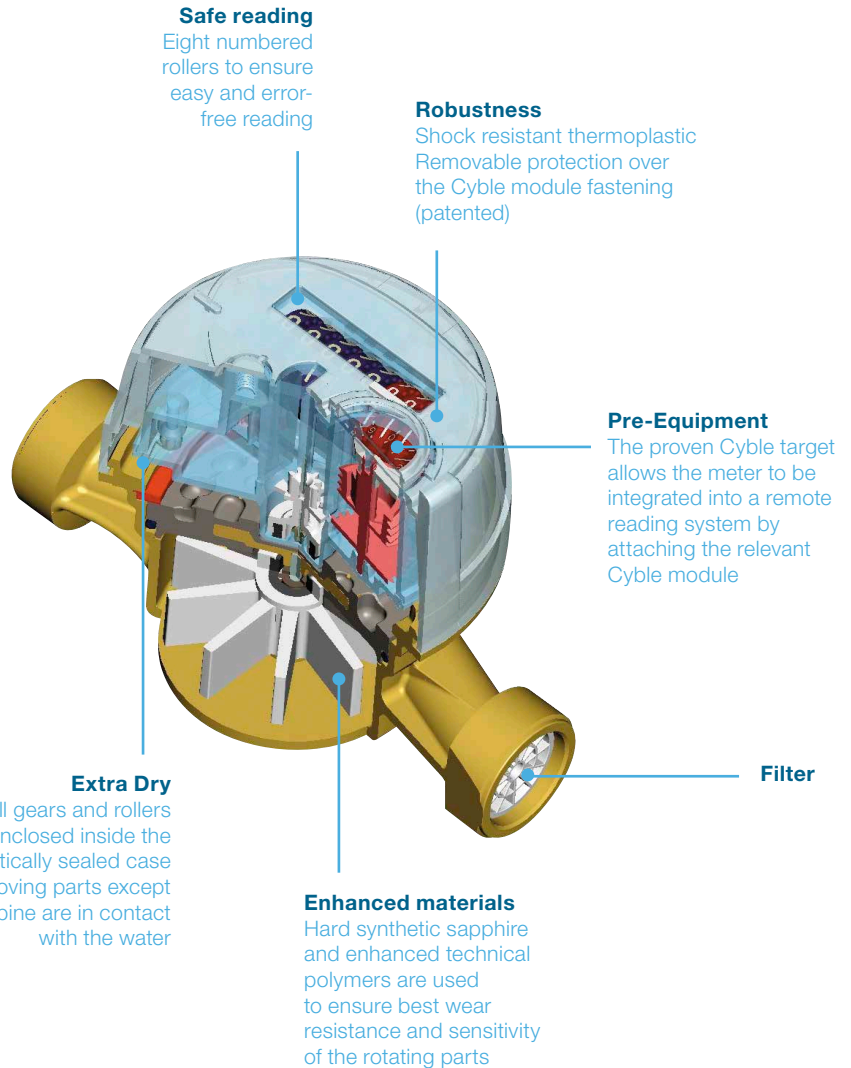
Transmission between the two parts is achieved by magnetic coupling, without any mechanic connection between the wet and the dry parts.



Cold water version



Warm water version



Potentiality of the Cyble AMR interface

- Optimised reading and billing without the necessity of accessing the meter
- Leak detection
- Study of consumer's habits
- Reverse flow detection
- Fraud detection

KEY ADVANTAGES OF THE CYBLE TECHNOLOGY

- » No need for additional investments on the meter itself to implement remote reading
- » Itron standard meter interface, irrespective of the meter technology and used on all Itron water meters from DN 15 to DN 500
- » Complete system portfolio from the radio module to the meter reading software and handheld terminals
- » Outstanding reliability proven by several million modules installed worldwide
- » Electronic detection (no wear or bounce)
- » Back flow management
- » Not sensitive to magnetic fields
- » Perfect index correlation
- » For further info, refer to the specific leaflet

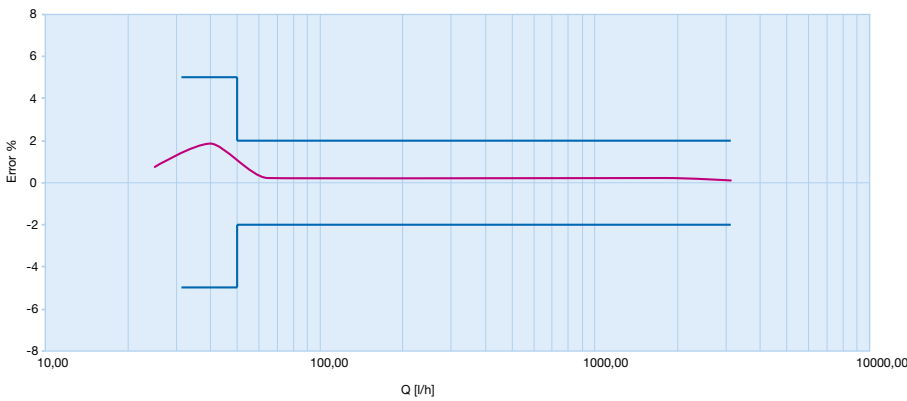
Technical characteristics

Nominal diameter (DN)	mm inches	Cold Water		Warm Water	
		15 1/2"	20 3/4"	15 1/2"	20 3/4"
MID approval		LNE 27129			
MID Metrology class (horizontal)	(Q3/Q1)	80		80	
MID Metrology class (other positions)		40		40	
Water Temperature Range	(T) °C	0.1-50		30-90	
Starting Flow Rate	L/h	8.5	12	8.5	12
Minimum Flow Rate	(Q1) L/h	31	50	31	50
Transitional Flow Rate	(Q2) L/h	50	80	50	80
Permanent Flow Rate	(Q3) m³/h	2.5	4	2.5	4
Overload Flow Rate	(Q4) m³/h	3.12	5	3.12	5
Max Pressure Loss Class at Q3	bar	0.63	0.63	0.63	0.63
Maximum Admissible Pressure	MAP bar	16			
Flow Sensitivity Class		U0/D0			
Indicating Range	m³/h	99999.999			
Minimum Scale Interval	(I)	0.05			
Mechanical Environment Class		M1			
Climatic Environment	(T) °C	-10/+70			
Pre-equipment for communication		Cyble Technology			



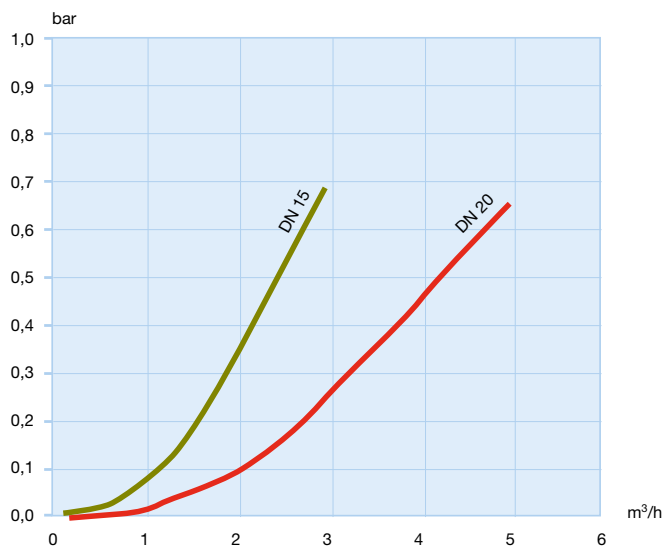
Tot Unimag Cyble Cold water version

TYPICAL ACCURACY CURVE



Tot Unimag Cyble Warm water version

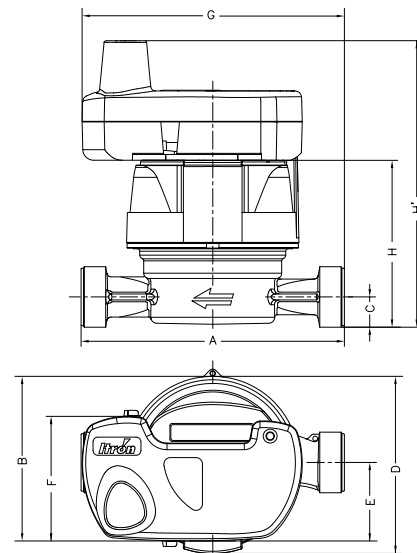
HEAD LOSS CURVE



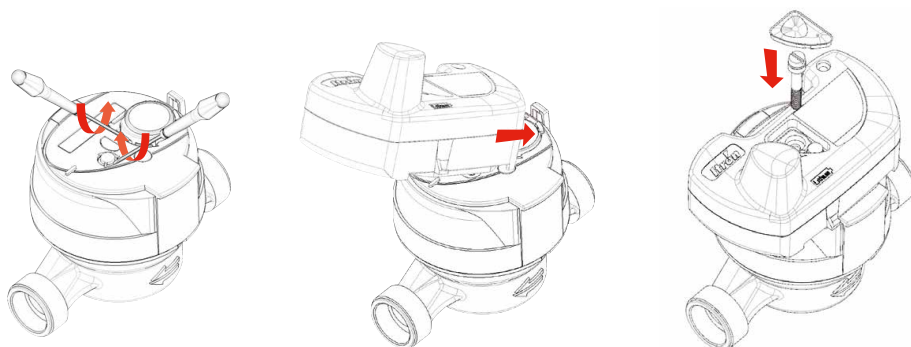
Dimensions

Nominal diameter (DN)	mm	15	20
Meter Thread		G 3/4"	G 1"
A	mm	110	130
B	mm		69
C	mm	13.2	16.6
D			74
E			33
F			52
G		109.6	119.6
H	mm	69	73.2
H'	mm	119.5	123.7

Others lengths available under special request.



CYBLE MODULE INSTALLATION



» 1. Remove the 2 protections with a small screwdriver

» 2. Clip the module on the meter

» 3. Fix the module with the screw and insert the seal supplied



Cyble RF (wireless, radio frequency)



Cyble sensor (Pulse output)



Cyble M-Bus



Join us in creating a more **resourceful world**.
To learn more visit **itron.com**

While Itron strives to make the content of its marketing materials as timely and accurate as possible, Itron makes no claims, promises, or guarantees about the accuracy, completeness, or adequacy of, and expressly disclaims liability for errors and omissions in, such materials. No warranty of any kind, implied, expressed, or statutory, including but not limited to the warranties of non-infringement of third party rights, title, merchantability, and fitness for a particular purpose, is given with respect to the content of these marketing materials. © Copyright 2015 Itron. All rights reserved. **WA-0056.2-EN-10.12**

ITRON WATER METERING

9, rue Ampère
71031 Mâcon cedex
France

Phone: +33 3 85 29 39 00
Fax: +33 3 85 29 38 58