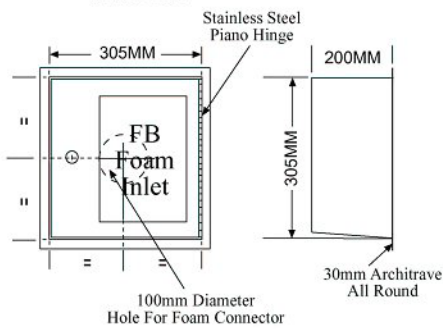


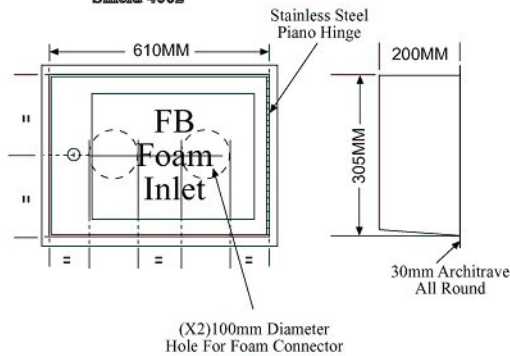
FOAM CABINETS



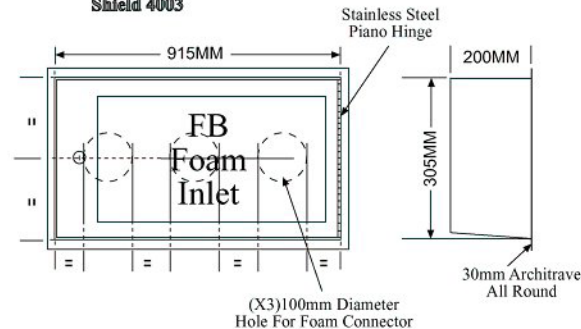
**Single Foam Inlet Cabinet
Shield 4001**



**Double Foam Inlet Cabinet
Shield 4002**



**Triple Foam Inlet Cabinet
Shield 4003**



Cabinet Specifications:

Cabinet & Door:	16swg Zintec Steel.
Colour:	As Standard Red Ral 3002.
Architrave:	30mm Wide All Round.
Glass:	6mm Georgian Wired, PRV Lettering.
Lock:	Yale Slam Lock Keyed Alike.
Hinge:	Stainless Steel Piano Hinge.
Conforms:	To BS 5041 Part 5

Options:

Manufactured to your dimensions and specifications.

Full cabinet manufactured from 16swg zintec steel polyester powder coated to your colour specifications.

Available in full stainless steel all front faces satin polished finish.