

**EGS-...**

■ This range of gas detectors can be used to detect leaks and provide an alarm in general commercial and industrial applications.  
Can be used stand alone, with a BMS system or with a monitor panel.



Do not expose to extreme ambient or oily/dirty conditions.  
24VAC supply, green power led.  
Red led and sounder alarm  
Alarm relay rating 1A-Factory set threshold.  
Analogue output 0 to 10VDC or 4-20mA  
Dimensions 86x120x53 180gm  
Standard housing IP41

**GAS SENSOR (SPECIFY GAS)**

Type	Gas	Range	Relay set point
<b>EGS-NG</b>	Nat Gas ( methane)	0 to 5,000ppm	2500ppm
<b>EGS-LPG</b>	LP Gas	0 to 2,000ppm	1000ppm
<b>EGS-CO</b>	Carbon monoxide	0 to 100ppm	30ppm
<b>EGS-R134</b>	Refrig R134	0 to 1000ppm	500ppm
<b>EGS-H</b>	Hydrogen	0 to 2,000ppm	1000ppm
<b>EGS-CO2/IR</b>	Carbon dioxide	0 to 10,000ppm	5000ppm
<b>ECS-OZ</b>	Ozone	0-1ppm	0.2ppm
<b>EGS-O</b>	Oxygen	0 to 25%	19%.
<b>EGS-H2S</b>	Hydrogen sulphide	0 to 30ppm	5ppm
<b>EGS-SD</b>	Sulphur dioxide	0 to 10ppm	2ppm
<b>EGS-ND</b>	Nitrogen dioxide	0 to 10ppm	3ppm
<b>EGS-CL</b>	Chlorine	0 to 10ppm	0.5ppm

Other gases-please enquire

Default setpoints are in accordance with [www.hse.gov.uk/coshh/table1.pdf](http://www.hse.gov.uk/coshh/table1.pdf)

**OPTIONAL HOUSINGS**

EE-HSGDUCT



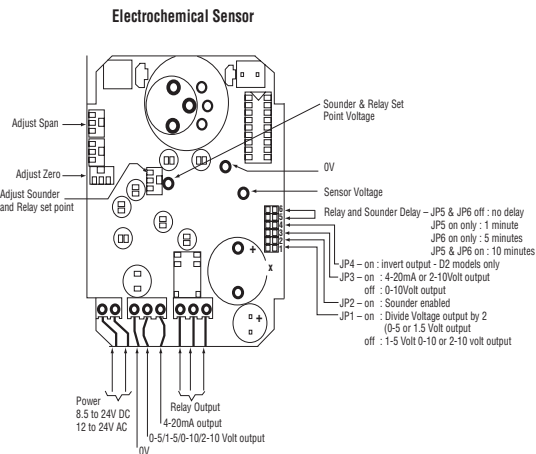
EE-HSGIP66



EE-HSGEx



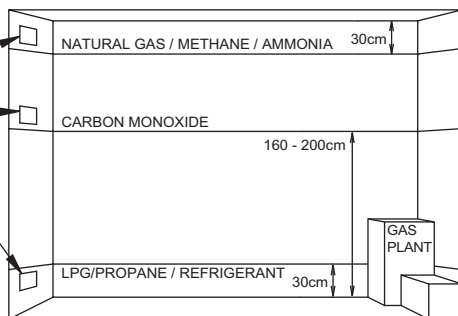
**WIRING**



Use 2 cores of a 4 core 7/0.2mm sq cable

**INSTALLATION**

The unit should be positioned at high/mid/low level depending on the density of the gas being detected.



**OPERATION**

See the detailed instructions in the Product Data sheets supplied with the product.

**MAINTENANCE**

Keep the gas sensors energised and after installation or a period of non use energise the sensor for at least 15mins to allow it to stabilise.  
Test annually or in accordance with the local regulations as detailed in the Product Data sheet.  
Do not store or install in dusty dirty environments or areas of high solvent concentration.