



TG-DHW1/PT1000

Immersion sensor with well and housing.

Temperature sensor with PT1000 element for water temperature measurement.

- Anti-tear M16 cable gland
- Screw cap
- R1/2" connection

- Well and probe in stainless steel
- Modern design and compact format
- Simple and quick installation

Tempero series immersion sensor with a modern design suiting all environments. The sensor part has a snap-on fastening for the well, making it easy to mount.

Comes supplied with a DR-90WS model well.

Technical data

Temperature range	-20...+120°C
Sensor element	PT1000, 1000 Ω/0°C, DIN class B
Time constant	18 s (12 s with heat-conductive paste)
Cable gland	M16
Insertion length, well	90 mm
Diameter, probe	5 mm
Diameter, well	8 mm
Connection	R1/2"
Pressure rating	PN25
Protection class	IP65

Temperature (°C)	Resistance (Ω)	Temperature (°C)	Resistance (Ω)
35	1136	120	1461
30	1117	110	1423
25	1097	100	1385
20	1078	90	1347
15	1059	80	1309
10	1039	70	1271
5	1019	65	1252
0	1000	60	1232
-5	980	55	1213
-10	961	50	1194
-15	941	45	1175
-20	922	40	1155

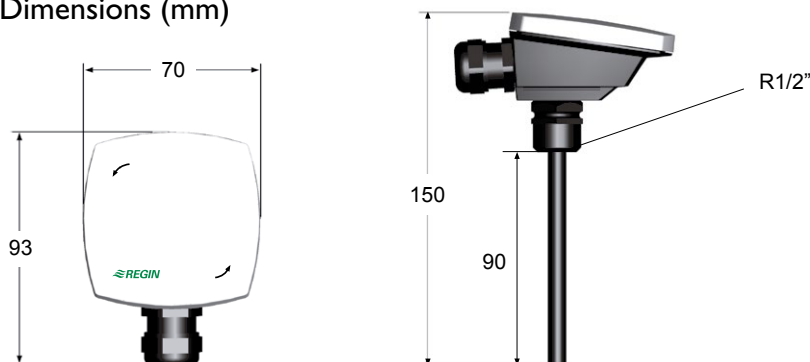
Material

Housing	Polycarbonate
Probe and well	Stainless steel, SUS304

Colour

Cover	Polar white RAL9010
Base	Dark grey RAL7043

Dimensions (mm)



Head office Sweden

Phone: +46 31 720 02 00
Web: www.regincontrols.com
Mail: info@regin.se

THE CHALLENGER IN BUILDING AUTOMATION