



# TG-UH/PT1000

## Outdoor temperature sensor with housing

Temperature sensor with PT1000 element for outdoor temperature measurement or for use in areas requiring a higher protection class.

- Screw cap
- Tight casing, IP65

- Anti-tear cable gland
- Modern design and compact format

Temporo series temperature sensor with a modern design suiting all environments.

TG-UH/PT1000 is intended for wall mounting, outdoors or in areas where a high protection class is required.

### Technical data

Temperature range	-30...+70°C
Sensor element	PT1000, 1000 Ω/0°C, DIN class B
Cable gland	M16
Protection class	IP65

### Material

Housing	Polycarbonate
---------	---------------

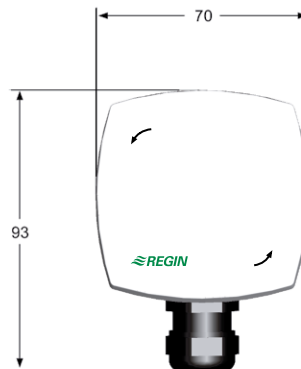
### Colour

Cover	Polar white RAL9010
Base	Dark grey RAL7043

Temperature (°C)	Resistance (Ω)
15	1059
10	1039
5	1019
0	1000
-5	980
-10	961
-15	941
-20	922
-25	902
-30	882

Temperature (°C)	Resistance (Ω)
70	1271
65	1252
60	1232
55	1213
50	1194
45	1175
40	1155
35	1136
30	1117
25	1097
20	1078

### Dimensions (mm)



### Head office Sweden

Phone: +46 31 720 02 00  
 Web: [www.regincontrols.com](http://www.regincontrols.com)  
 Mail: [info@regin.se](mailto:info@regin.se)

**REGIN**

THE CHALLENGER IN BUILDING AUTOMATION