



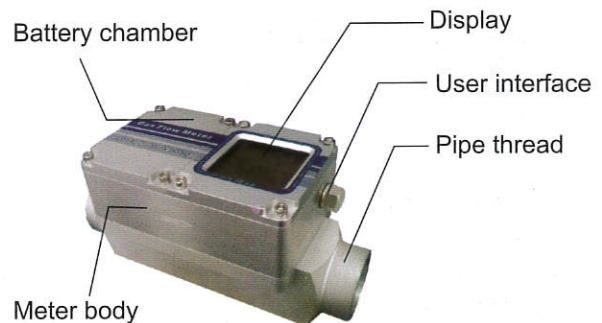
## MF-GD Series Low Pressure Mass Flow Meters

### The Products

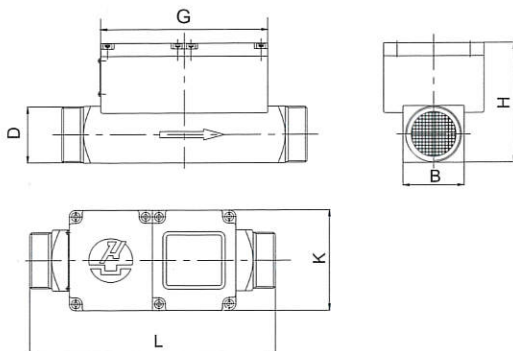
**MF-GD series low pressure mass flow meters** are designed for all low pressure industrial gas metering and control. The meters substantially reduce the installation cost as well as other logistical cost. In addition, the all electronic meters provide easy data access as well as remote data networking capabilities.

### Features

- ✦ Automatical compensation for temperature and pressure variations
- ✦ Integrated MEMS sensors for extended rangeability
- ✦ Proprietary low power technology ensures the long lasting battery life
- ✦ Small form factors reduce logistical and installation cost
- ✦ Large data storage for easy historical data download and analysis
- ✦ All electronic meters ready for data access and networking



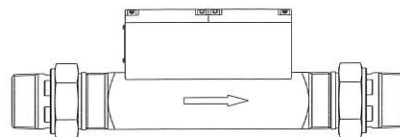
### Mechanical Dimensions



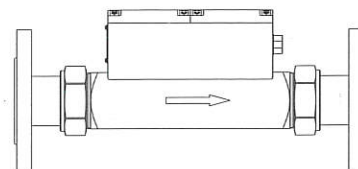
	D	B	L	H	K	G
MF32GD	M48X2	70	280	132	115	188
MF50GD	M64X2	70	280	137	115	188
MF65GD	M80X2	90	360	162	115	188
MF80GD	M100X2	100	360	172	115	188

Please contact Siargo to get detailed information on the meters with BSPT or flange connectors.

With BSPT connectors



With flanges



## Specifications

Model	DN (mm)	Max. Flow rate (Nm <sup>3</sup> /h)	Min. Flow rate (Nm <sup>3</sup> /h)
MF32GD	32	25	0.25
MF50GD	50	65	0.65
MF65GD	65	100	1.0
MF80GD	80	160	1.6

Max. Working Pressure	0.5 MPa
Environment Temperature	-20 ~ +60°C
Medium Temperature	-10 ~ +55°C
Humidity	< 95%RH (No icing or condensation)
Power Supply	3.6V battery (L3638A)
Battery life	36 months
Real time clock life	10 years
Output	RS485, Pulse
LCD display	Flowrate; Accumulated flowrate; Battery status
Calibration	Air @ 20°C, 101.325kPa
Mechanical	M-Thread (R-Thread with Mechanical connector)
Protection	IP66
Ex Proof	Ex ia IIC T4

## Product Selection

