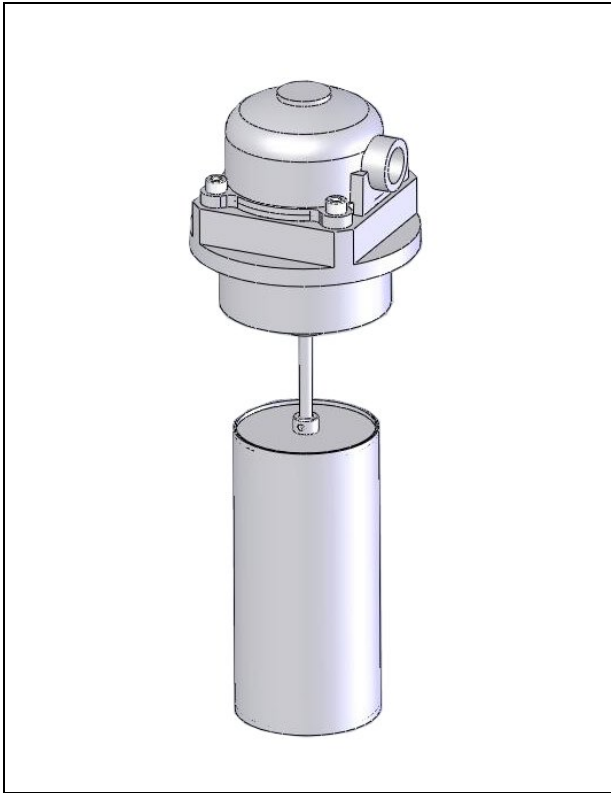


FLOAT SWITCH

The Float Switch are designed for use with the Landon Kingsway Filguard unit.

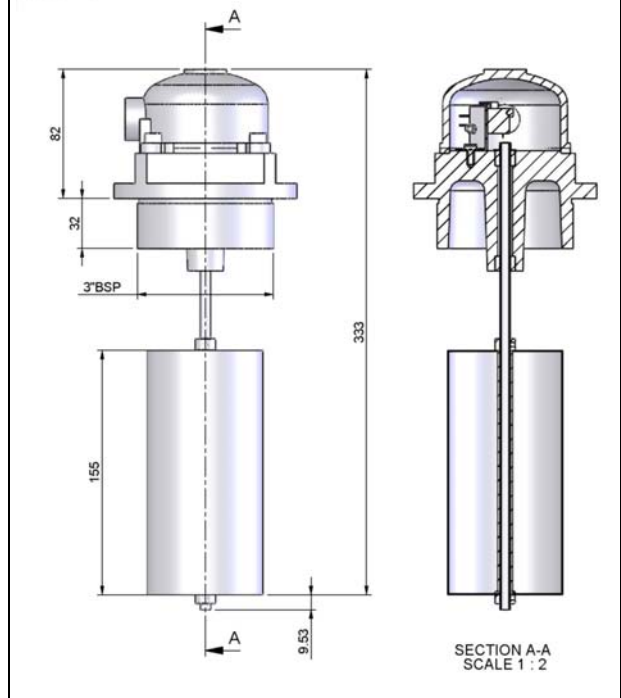
The switch unit requires no power supply and has no adjustable parts.



Technical Specification

Materials	Stainless Steel Float, Grey painted cast iron housing.
Dimensions	see diagrams
Protection Rating	IP65
Mounting connection	3" BSP
Liquid switch-point	100mm above base of float (depending on s.g. of liquid)
Switch Lifetime	>10 ⁶ operations
Contact Rating	10A max.
Weight	Standard: 2.6Kg

Dimensions



INSTALLATION

The float switch MUST be mounted in the vertical position into a 3" BSP socket at the top of the tank to be sensed. The tank need not be empty of liquid.

Electrical connection of the unit should be carried out by competent persons.

OPERATION

The switch mechanism relies on the stainless steel sealed float being raised by the liquid in the tank when near full. When the liquid level falls the float falls by gravity.

If you have any problems or need any help, please contact our sales office.

**Extended versions available consult
Customer Services for details**