

500

'y' pattern strainer



WRAS
APPROVED
PRODUCT

altecnic

500 'y' pattern strainer - threaded ends



Design

Altecnic provides a wide range of 'Y' pattern strainers suitable for many applications.

Using the most efficient design for debris removal, utilising generously proportioned screens, this extends the period before the screen requires cleaning.

Available in the sizes ½" to 4" with threaded end, also available in sizes 15mm to 28mm with compression ends.

The bodies are constructed from brass or bronze with threaded ends for use with steel pipe or threaded fittings.

The strainer screens are manufactured from 304 austenitic stainless steel for good corrosion resistance in potable water and other applications.

The gasket, between the cap and body, enables the cap to be removed and replaced easily when the screen requires cleaning and makes the strainers suitable for oil service.

Application

The Altecnic range of 'Y' pattern strainers is designed for use within commercial and domestic applications to protect control valves and other equipment and maintain system efficiency.

The strainers are a WRAS approved product for use with potable water and with compression ends are ideally suited for installation in the supply to shower valves and controllers.

Construction Details

Component	Material	Grade	
Body	½" to 1"	Brass	BS EN 12165 CW614N
	1¼" to 4"	Bronze	1982 CC491K
Screen	Stainless Steel	AISI 304	
Gasket	Non-asbestos		
Cap	Brass	BS EN 12165 CW614N	

Product Code	Size	Connection	Type
AI-500015	½"	screwed iron	female x female
AI-500022	¾"	screwed iron	female x female
AI-500025	1"	screwed iron	female x female
AI-500031	1¼"	screwed iron	female x female
AI-500038	1½"	screwed iron	female x female
AI-500050	2"	screwed iron	female x female
AI-500065	2½"	screwed iron	female x female
AI-500075	3"	screwed iron	female x female
AI-500100	4"	screwed iron	female x female

E & O.E

Altecnic Ltd Mustang Drive, Stafford, Staffordshire ST16 1GW

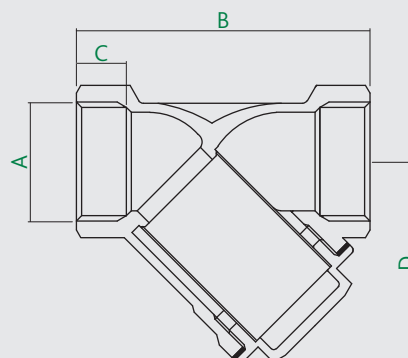
T: +44 (0)1785 218200 E: sales@altecnic.co.uk

Registered in England No: 2095101

altecnic.co.uk

AL 087 14-05-12

Dimensions



Prod Code	A	B	C	D	kg	Kv
AI-500015	G½	55	12	38	0.13	2.4
AI-500022	G¾	59	13	42	0.18	3.9
AI-500025	G1	71	13	51	0.29	6.6
AI-500031	G1¼	99	17	73	0.76	13.8
AI-500038	G1½	109	17	80	0.92	21
AI-500050	G2	131	19	98	1.63	28
AI-500065	G2½	151	21	114	2.4	55
AI-500075	G3	172	21	130	3.37	80
AI-500100	G4	219	24	170	7.25	120

Technical Data

Threaded ends complying with:	BS EN ISO 228-1
Maximum pressure:	10 bar
Maximum temperature:	120°C
Strainer mesh size:	½" to 1" 0.4 mm = 400 µm
	1¼" & 1½" 0.47 mm = 470 µm
	2" to 4" 0.53 mm = 530 µm