

# HYDRUS

ULTRASONIC METER

**DIEHL**  
Metering



## APPLICATION

Static ultrasonic water meter for accurate measuring and recording for all applications of water supply.

## FEATURES

- ▶ Ultrasonic water meter with long-term stability under difficult conditions (no measurement of air and insensitive against sedimentation)
- ▶ Higher performance than class D requirements
- ▶ Metrological class 2 and dynamic range up to R 400
- ▶ Compliant with MID, OIML R49 and EN 14154
- ▶ Mounting in any installation position, no calming sections required
- ▶ Housing with thread connection lead-free brass
- ▶ IP68 suitable for outdoor installations
- ▶ Certified for drinking water (KTW and ACS)
- ▶ Wired M-Bus, Radio OMS, Radio/L-Bus and Pulse interface available
- ▶ Radio communication based on Open Metering telegram (OMS-Generation 3, Profile A, or OMS-Generation 4, Profile B, selectable)
- ▶ Highest data security for AMR communication
- ▶ Displaying of error- and alarm codes, including leakage detection
- ▶ Battery lifetime up to 16 years
- ▶ Data logging capabilities to record up to 1.024 daily values + 32 configurable values (hourly, daily, weekly, monthly) and an annual due date

# HYDRUS

## ULTRASONIC METER

### GENERAL

		HYDRUS	
Medium temperature range	°C	0.1 ... 90	
Ambient operating temperature	°C	1 ... 70	
Ambient storage temperature	°C	-20 ... +70 (>35 °C max. 4 weeks)	
Nominal pressure	PN	bar	16
Power supply	Two 3.6 VDC lithium-batteries (only one battery with M-Bus possible)		
Battery lifetime T30 <sup>1</sup> /T50 <sup>1</sup>	Up to 12 years (one battery), up to 16 years (two batteries)		
Battery lifetime T90 <sup>1</sup>	Up to 12 years (all interfaces)		
Interfaces	Optical, radio 434 or 868 MHz, M-Bus, L-Bus, pulse		
Data storage	For events and for consumption values		
Protection class	IP 68		

<sup>1</sup> depends on the sending interval of the radio telegram, the telegram length and the ambient temperature at the installation

### TECHNICAL DATA DISPLAY

		HYDRUS	
Display indication	LCD, 8-digit		
Units DN 15 - DN 32	Flow and volume (m <sup>3</sup> + 3 digits after the comma)		
Units DN 40 + DN 50	Flow (m <sup>3</sup> + 3 digits after the comma); Volume (m <sup>3</sup> + 2 digits after the comma)		
Values displayed (depending on configuration)	Volume <sup>2</sup> - flow - mediums temperature - display test <sup>2</sup> - current error and alarm status <sup>2</sup> - date - primary and secondary address - radio signal ON/OFF - battery lifetime <sup>2</sup> - accounting day - error hour counter - pulse values - software checksum <sup>2</sup>		

<sup>2</sup> Display according to approval (always on)

### INTERFACES - OVERVIEW

		HYDRUS	
Optical	For configuration of display and radio telegram, to switch to the various display		
Radio	434 or 868 MHz, real data telegram (configurable), Open Metering Standard (OMS-Generation 3, Profile A, or OMS-Generation 4, Profile B, selectable)		
M-Bus	2400 Baud (adjustable to 300 Baud), configurable telegram, cable length 1.5 m, power supply only via built-in battery		
L-Bus	In combination with radio, cable length 1.5 m		
Pulse (Open collector)	Two configurable pulse outputs, cable length 1.5 m		

### VOLUME- / PULSE OPEN COLLECTOR

		HYDRUS	
Max. input voltage	V	30	
Max. input current	mA	27	
Max. voltage drop at active output	V/mA	2/27	
Max. current through inactive output	µA/V	5/30	
Max. reverse voltage without destroying outputs	V	6	
Pulse rates	l/pulse	Decadic 0.1 ... 100	
Pulse output 1 variants	Total volume or forward volume		
Pulse output 2 variants	Forward volume, direction <sup>3</sup> or error		
Pulse duration	Depending on device configuration <sup>4</sup>		
Pulse break	Depending on device configuration <sup>4</sup>		
Pulse frequency	Depending on device configuration <sup>4</sup>		

<sup>3</sup> when total volume on pulse output 1, only direction possible on pulse output 2

<sup>4</sup> detailed description on request

# HYDRUS<sub>DN 15 - 20</sub>

## ULTRASONIC METER

### TECHNICAL DATA 5 6

Permanent flow rate	Q <sub>3</sub>	m <sup>3</sup> /h	1.6	1.6	1.6	1.6	1.6	2.5	2.5
Nominal diameter	DN	mm	15	15	15	20	20	15	15
Overall length	L	mm	110	165	170	130	190	110	165
Overload flow rate	Q <sub>4</sub>	m <sup>3</sup> /h	2	2	2	2	2	3.125	3.125
Transitional flow rate	Q <sub>2</sub>	l/h	10.24	10.24	10.24	10.24	10.24	16	16
Minimum flow rate	Q <sub>1</sub>	l/h	6.4	6.4	6.4	6.4	6.4	10	10
Starting flow rate		l/h	1.3	1.3	1.3	1.3	1.3	2.6	2.6
Pressure loss at Q <sub>3</sub>		bar	0.6	0.6	0.6	0.6	0.6	0.33	0.33
Permanent flow rate	Q <sub>3</sub>	m <sup>3</sup> /h	2.5	2.5	2.5	4 <sup>7</sup>	4	4	4
Nominal diameter	DN	mm	15	20	20	20 <sup>7</sup>	20	20	20
Overall length	L	mm	170	130	190	110 <sup>7</sup>	130	175	190
Overload flow rate	Q <sub>4</sub>	m <sup>3</sup> /h	3.125	3.125	3.125	5	5	5	5
Transitional flow rate	Q <sub>2</sub>	l/h	16	16	16	25.6	25.6	25.6	25.6
Minimum flow rate	Q <sub>1</sub>	l/h	10	10	10	16	16	16	16
Starting flow rate		l/h	2.6	2.6	2.6	4.3	4.3	4.3	4.3
Pressure loss at Q <sub>3</sub>		bar	0.33	0.25	0.25	0.3	0.3	0.3	0.3

<sup>5</sup> at dynamic range R 250

<sup>6</sup> further overall lengths on request

<sup>7</sup> substitute for body length 105 mm rising pipe

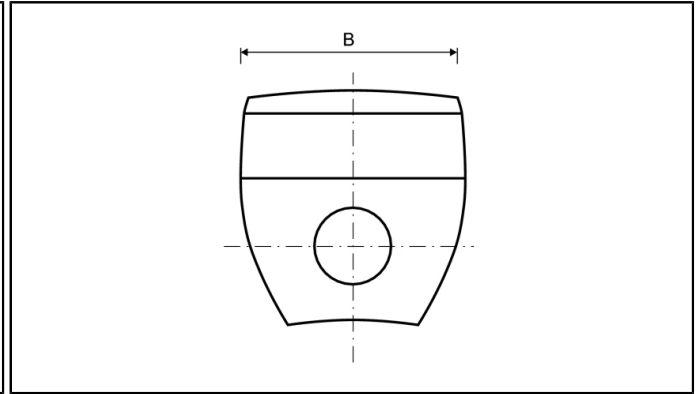
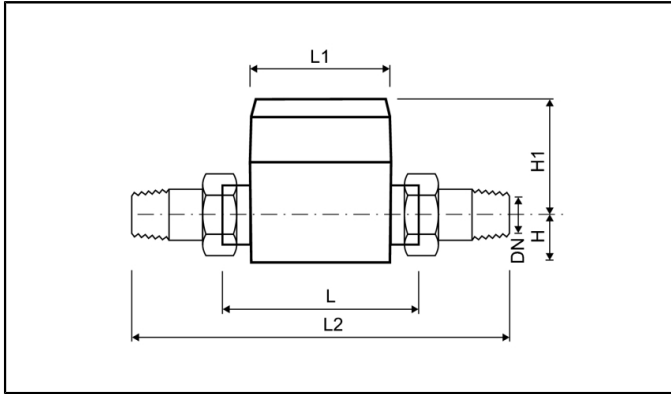
### APPROVAL

DN 15 - 20		
Approval		MID LNE 14586, OIML R49, EN 14154, TVO, KTW, ACS
Dynamic range (Q <sub>3</sub> /Q <sub>1</sub> ) - Q <sub>3</sub> 1.6 m <sup>3</sup> /h (T30 - T50)	R	160 / 200 / 250
Dynamic range (Q <sub>3</sub> /Q <sub>1</sub> ) - Q <sub>3</sub> 2.5 m <sup>3</sup> /h (T30 - T50)	R	160 / 200 / 250 / 315 / 400
Dynamic range (Q <sub>3</sub> /Q <sub>1</sub> ) - Q <sub>3</sub> 4 m <sup>3</sup> /h (T30 - T50)	R	160 / 200 / 250
Dynamic range (Q <sub>3</sub> /Q <sub>1</sub> ) - Q <sub>3</sub> 1.6 - 4 m <sup>3</sup> /h (T90)	R	160 / 200

# HYDRUS<sup>DN 15 - 20</sup>

## ULTRASONIC METER

### DIMENSIONS



Permanent flow rate	Q <sub>3</sub>	m <sup>3</sup> /h	1.6	1.6	1.6	1.6	1.6	2.5	2.5
Nominal diameter	DN	mm	15	15	15	20	20	15	15
Overall length	L	mm	110	165	170	130	190	110	165
Counter length	L1	mm	88	88	88	88	88	88	88
Counter width	B	mm	94	94	94	94	94	94	94
Overall length with coupling	L2	mm	190	245	250	230	290	190	245
Connection thread on meter		Inch	G <sup>3</sup> / <sub>4</sub> B	G <sup>3</sup> / <sub>4</sub> B	G <sup>3</sup> / <sub>4</sub> B	G1B	G1B	G <sup>3</sup> / <sub>4</sub> B	G <sup>3</sup> / <sub>4</sub> B
Connection thread of coupling		Inch	R <sup>1</sup> / <sub>2</sub>	R <sup>1</sup> / <sub>2</sub>	R <sup>1</sup> / <sub>2</sub>	R <sup>3</sup> / <sub>4</sub>	R <sup>3</sup> / <sub>4</sub>	R <sup>1</sup> / <sub>2</sub>	R <sup>1</sup> / <sub>2</sub>
Height	H1	mm	67	67	67	65	65	67	67
Weight without coupling (approx.)		kg	0.8	1	1	0.9	1.1	0.8	1
Weight with coupling (approx.)		kg	1	1.4	1.4	1.3	1.5	1	1.4
Height	H	mm	32	32	32	34	34	32	32

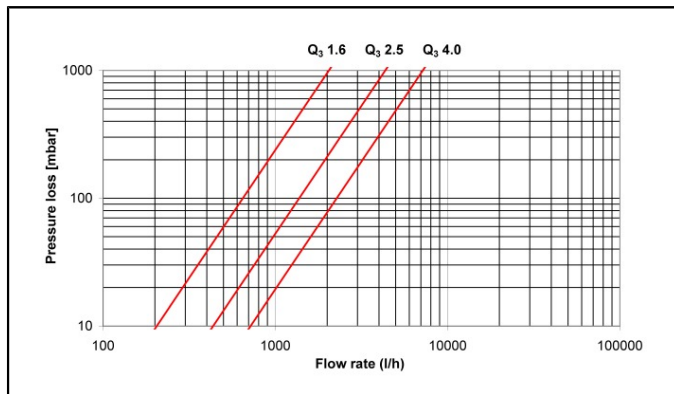
Permanent flow rate	Q <sub>3</sub>	m <sup>3</sup> /h	2.5	2.5	2.5	4 <sup>7</sup>	4	4	4
Nominal diameter	DN	mm	15	20	20	20 <sup>7</sup>	20	20	20
Overall length	L	mm	170	130	190	110 <sup>7</sup>	130	175	190
Counter length	L1	mm	88	88	88	88	88	88	88
Counter width	B	mm	94	94	94	94	94	94	94
Overall length with coupling	L2	mm	250	230	290	210	230	295	290
Connection thread on meter		Inch	G <sup>3</sup> / <sub>4</sub> B	G1B	G1B	G1B	G1B	G1 <sup>1</sup> / <sub>4</sub> B	G1B
Connection thread of coupling		Inch	R <sup>1</sup> / <sub>2</sub>	R <sup>3</sup> / <sub>4</sub>	R <sup>3</sup> / <sub>4</sub>	R <sup>3</sup> / <sub>4</sub>	R <sup>3</sup> / <sub>4</sub>	R1	R <sup>3</sup> / <sub>4</sub>
Height	H1	mm	67	65	65	65	65	65	65
Weight without coupling (approx.)		kg	1	0.9	1.1	0.9	0.9	1.1	1.1
Weight with coupling (approx.)		kg	1.4	1.3	1.5	1.3	1.3	1.7	1.5
Height	H	mm	32	34	34	34	34	34	34

<sup>7</sup> substitute for body length 105 mm rising pipe

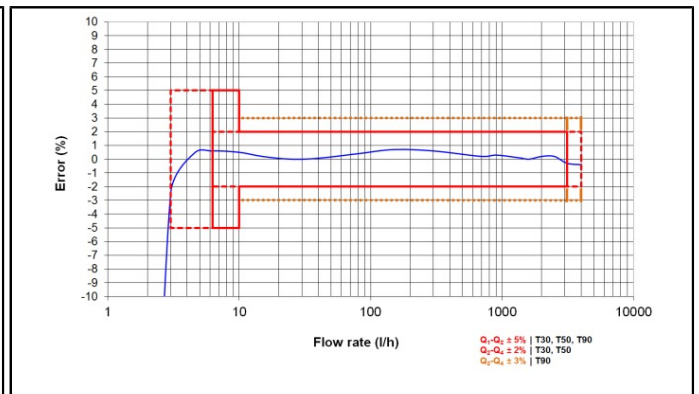
# HYDRUS<sup>DN 15 - 20</sup>

ULTRASONIC METER

## PRESSURE LOSS GRAPH / TYPICAL ERROR GRAPH



Pressure loss graph



Typical error graph

# HYDRUS<sup>DN 25 - 50</sup>

## ULTRASONIC METER

### TECHNICAL DATA 5 6

Permanent flow rate	Q <sub>3</sub>	m <sup>3</sup> /h	6.3	6.3	6.3	6.3	6.3	10
Nominal diameter	DN	mm	25	25	25	25	32	25
Overall length	L	mm	135	150	175	260	260	135
Overload flow rate	Q <sub>4</sub>	m <sup>3</sup> /h	7.87	7.87	7.87	7.87	7.87	12.5
Transitional flow rate	Q <sub>2</sub>	l/h	50.4	50.4	50.4	50.4	50.4	80
Minimum flow rate	Q <sub>1</sub>	l/h	31.5	31.5	31.5	31.5	31.5	50
Starting flow rate		l/h	10	10	10	10	10	10
Pressure loss at Q <sub>3</sub>		bar	0.25	0.25	0.25	0.25	0.25	0.55
Permanent flow rate	Q <sub>3</sub>	m <sup>3</sup> /h	10	10	10	10	10	10
Nominal diameter	DN	mm	25	25	25	32	40	40
Overall length	L	mm	150	175	260	260	200	300
Overload flow rate	Q <sub>4</sub>	m <sup>3</sup> /h	12.5	12.5	12.5	12.5	12.5	12.5
Transitional flow rate	Q <sub>2</sub>	l/h	80	80	80	80	80	80
Minimum flow rate	Q <sub>1</sub>	l/h	50	50	50	50	50	50
Starting flow rate		l/h	10	10	10	10	16	16
Pressure loss at Q <sub>3</sub>		bar	0.55	0.55	0.55	0.55	0.25	0.25
Permanent flow rate	Q <sub>3</sub>	m <sup>3</sup> /h	16	16	16	16	25	25
Nominal diameter	DN	mm	40	40	50	50	50	50
Overall length	L	mm	200	300	270	300	270	300
Overload flow rate	Q <sub>4</sub>	m <sup>3</sup> /h	20	20	20	20	31.25	31.25
Transitional flow rate	Q <sub>2</sub>	l/h	128	128	128	128	200	200
Minimum flow rate	Q <sub>1</sub>	l/h	80	80	80	80	125	125
Starting flow rate		l/h	16	16	25	25	25	25
Pressure loss at Q <sub>3</sub>		bar	0.4	0.4	0.1	0.1	0.25	0.25

<sup>5</sup> at dynamic range R 200

<sup>6</sup> further overall lengths on request

### APPROVAL

DN 25 - 50		
Approval		MID LNE 14586, OIML R49, EN 14154, TVO, KTW, ACS
Dynamic range (Q <sub>3</sub> /Q <sub>1</sub> ) - Q <sub>3</sub> 6.3 m <sup>3</sup> /h (T30 - T50)	R	40 / 80 <sup>7</sup> / 160 / 200
Dynamic range (Q <sub>3</sub> /Q <sub>1</sub> ) - Q <sub>3</sub> 10 m <sup>3</sup> /h (T30 - T50)	R	40 / 80 <sup>7</sup> / 160 / 200 / 250
Dynamic range (Q <sub>3</sub> /Q <sub>1</sub> ) - Q <sub>3</sub> 16 m <sup>3</sup> /h (T30 - T50)	R	40 / 80 / 160 / 200 / 250 / 315 <sup>8</sup> / 400 <sup>8</sup>
Dynamic range (Q <sub>3</sub> /Q <sub>1</sub> ) - Q <sub>3</sub> 25 m <sup>3</sup> /h (T30 - T50)	R	40 / 80 / 160 / 200 / 250 / 315 / 400
Dynamic range (Q <sub>3</sub> /Q <sub>1</sub> ) - Q <sub>3</sub> 6.3 - 25 m <sup>3</sup> /h (T90)	R	40 / 80 / 160

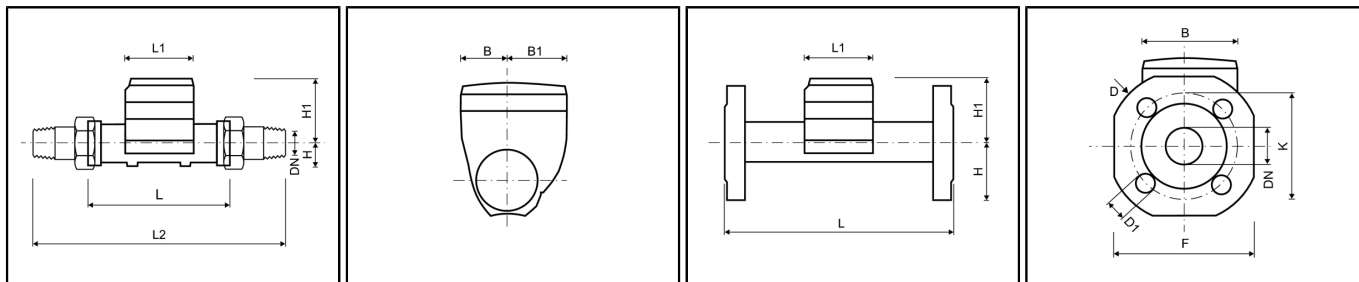
<sup>7</sup> variant DN 25 with body length 135 mm and 150 mm only in R 80

<sup>8</sup> not for DN 50

# HYDRUS<sup>DN 25 - 50</sup>

## ULTRASONIC METER

### DIMENSIONS



Permanent flow rate	Q <sub>3</sub>	m <sup>3</sup> /h	6.3	6.3	6.3	6.3	6.3	10
Nominal diameter	DN	mm	25	25	25	25	32	25
Overall length	L	mm	135	150	175	260	260	135
Counter length	L1	mm	92	92	92	92	92	92
Counter width	B	mm	94	94	94	94	94	94
DIMENSIONS - THREAD			.	.	.	.	.	.
Overall length with coupling	L2	mm	255	270	295	380	380	255
Connection thread on meter		Inch	G1¼B	G1¼B	G1¼B	G1¼B	G1½B	G1¼B
Connection thread of coupling		Inch	R1	R1	R1	R1	R1¼	R1
Height	H1	mm	84	84	84	84	84	84
Weight without coupling (approx.)		kg	1.17	1.24	1.29	1.6	1.8	1.17
Weight with coupling (approx.)		kg	1.77	1.84	1.89	2.2	2.4	1.77
Height	H	mm	26	26	26	26	26	26
DIMENSIONS - FLANGE			.	.	.	.	.	.
Flange diameter	D	mm	-	-	-	115	140	-
Hole circle diameter	K	mm	-	-	-	85	100	-
Number of screwholes		pcs	-	-	-	4	4	-
Screwhole diameter	D1	mm	-	-	-	14	18	-
Height	H	mm	-	-	-	50	62.5	-
Height	H1	mm	-	-	-	84	84	-
Width	F	mm	-	-	-	100	125	-
Weight with flanges (approx.)		kg	-	-	-	3.45	4.7	-

# HYDRUS<sup>DN 25 - 50</sup>

## ULTRASONIC METER

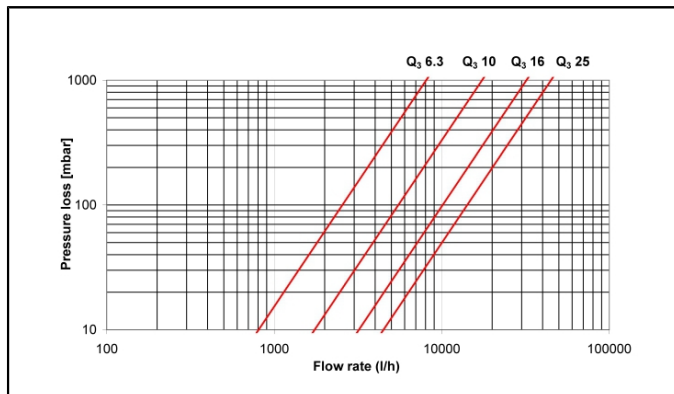
Permanent flow rate	Q <sub>3</sub>	m <sup>3</sup> /h	10	10	10	10	10	10
Nominal diameter	DN	mm	25	25	25	32	40	40
Overall length	L	mm	150	175	260	260	200	300
Counter length	L1	mm	92	92	92	92	92	92
Counter width	B	mm	94	94	94	94	94	94
DIMENSIONS - THREAD			.	.	.	.	.	.
Overall length with coupling	L2	mm	270	295	380	380	340	440
Connection thread on meter		Inch	G1¼B	G1¼B	G1¼B	G1½B	G2B	G2B
Connection thread of coupling		Inch	R1	R1	R1	R1¼	R1½	R1½
Height	H1	mm	84	84	84	84	87	87
Weight without coupling (approx.)		kg	1.24	1.29	1.6	1.8	2.4	3.05
Weight with coupling (approx.)		kg	1.84	1.89	2.2	2.4	3.6	4.25
Height	H	mm	26	26	26	26	31	31
DIMENSIONS - FLANGE			.	.	.	.	.	.
Flange diameter	D	mm	-	-	115	140	-	148
Hole circle diameter	K	mm	-	-	85	100	-	110
Number of screwholes		pcs	-	-	4	4	-	4
Screwhole diameter	D1	mm	-	-	14	18	-	18
Height	H	mm	-	-	50	62.5	-	69
Height	H1	mm	-	-	84	84	-	87
Width	F	mm	-	-	100	125	-	138
Weight with flanges (approx.)		kg	-	-	3.45	4.7	-	6.67
Permanent flow rate	Q <sub>3</sub>	m <sup>3</sup> /h	16	16	16	16	25	25
Nominal diameter	DN	mm	40	40	50	50	50	50
Overall length	L	mm	200	300	270	300	270	300
Counter length	L1	mm	92	92	92	92	92	92
Counter width	B	mm	94	94	94	94	94	94
DIMENSIONS - THREAD			.	.	.	.	.	.
Overall length with coupling	L2	mm	340	440	390	420	390	420
Connection thread on meter		Inch	G2B	G2B	G2½B	G2½B	G2½B	G2½B
Connection thread of coupling		Inch	R1½	R1½	R2	R2	R2	R2
Height	H1	mm	87	87	90	90	90	90
Weight without coupling (approx.)		kg	2.42	3.05	3.9	4,05	3.9	4,05
Weight with coupling (approx.)		kg	3.62	4.25	5.5	5,65	5.5	5,65
Height	H	mm	31	31	41	41	41	41
DIMENSIONS - FLANGE			.	.	.	.	.	.
Flange diameter	D	mm	-	148	163	163	163	163
Hole circle diameter	K	mm	-	110	125	125	125	125
Number of screwholes		pcs	-	4	4	4	4	4
Screwhole diameter	D1	mm	-	18	18	18	18	18
Height	H	mm	-	69	73.5	73.5	73.5	73.5
Height	H1	mm	-	87	90	90	90	90
Width	F	mm	-	138	147	147	147	147
Weight with flanges (approx.)		kg	-	6.67	7.23	7.47	7.23	7.47



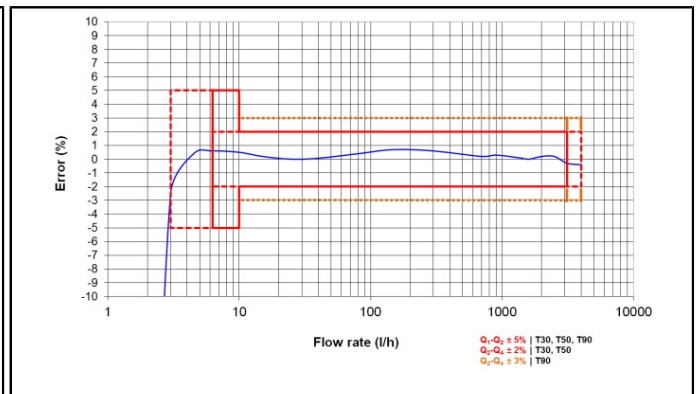
# HYDRUS<sup>DN 25 - 50</sup>

## ULTRASONIC METER

### PRESSURE LOSS GRAPH / TYPICAL ERROR GRAPH



Pressure loss graph



Typical error graph